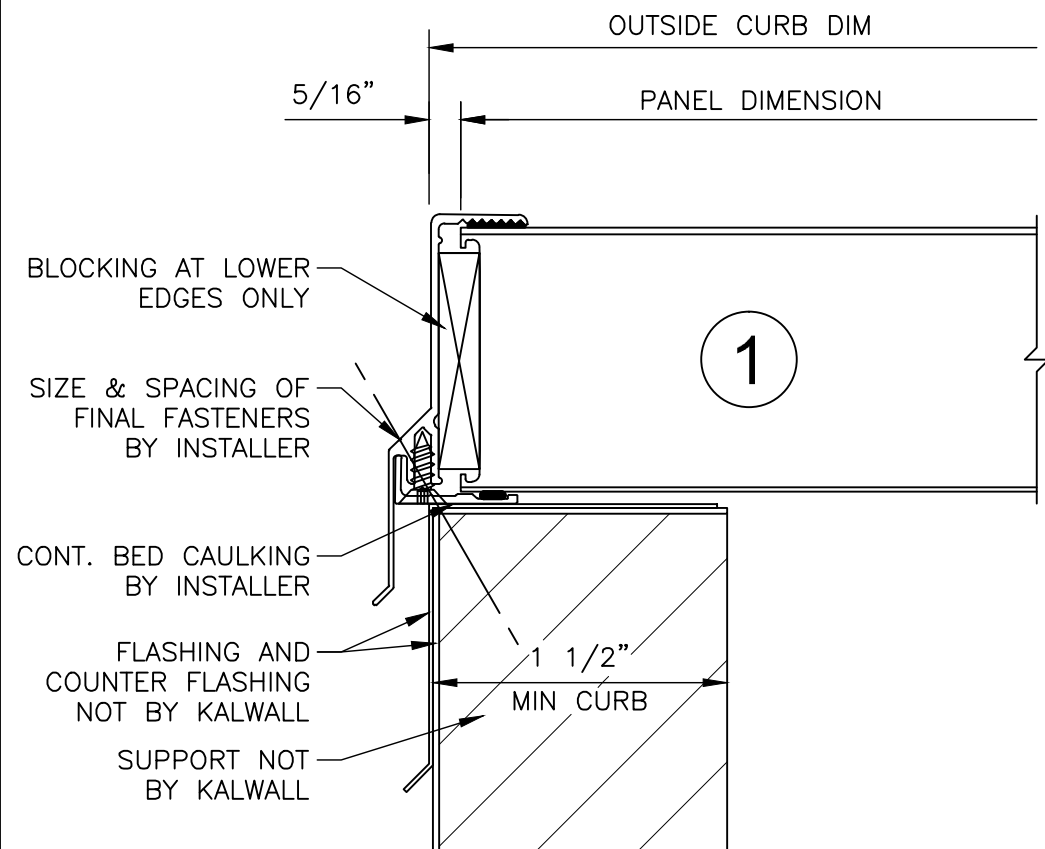


**5' x 18' SKYLIGHT**  
S-518-3A



**KALWALL**<sup>®</sup>  
high performance translucent building systems