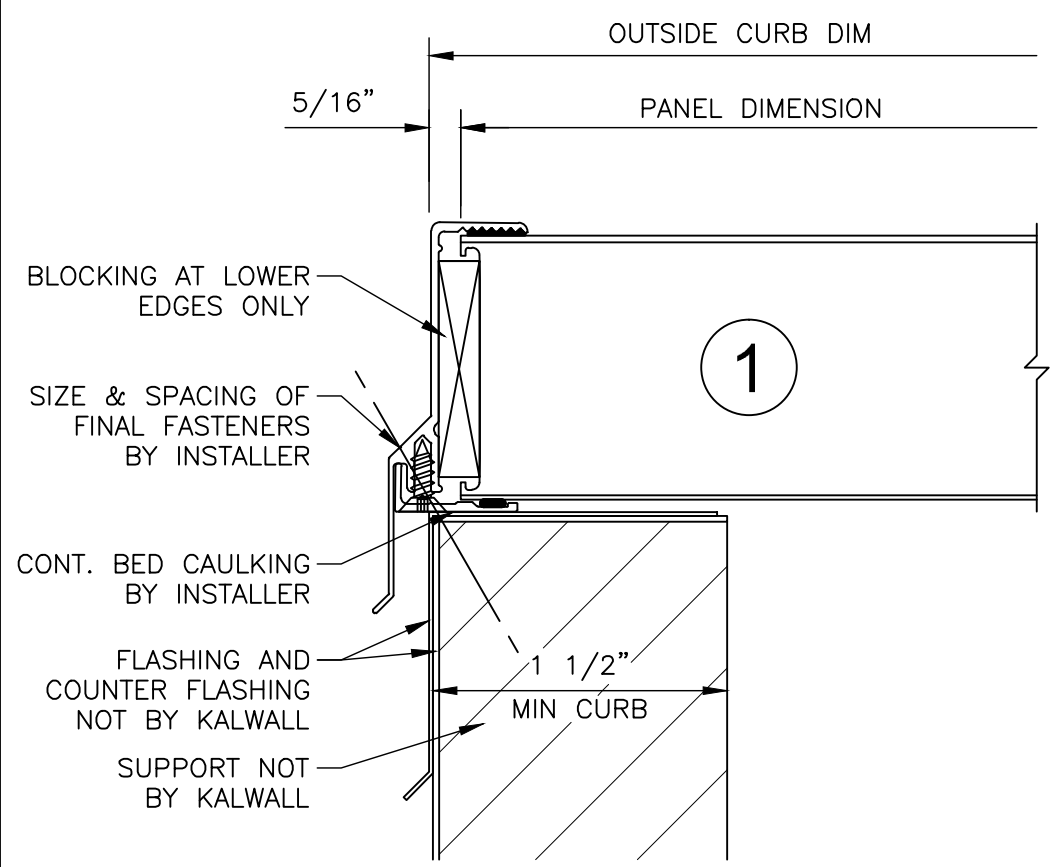


5' x 11' SKYLIGHT
S-511-3A



KALWALL[®]
high performance translucent building systems