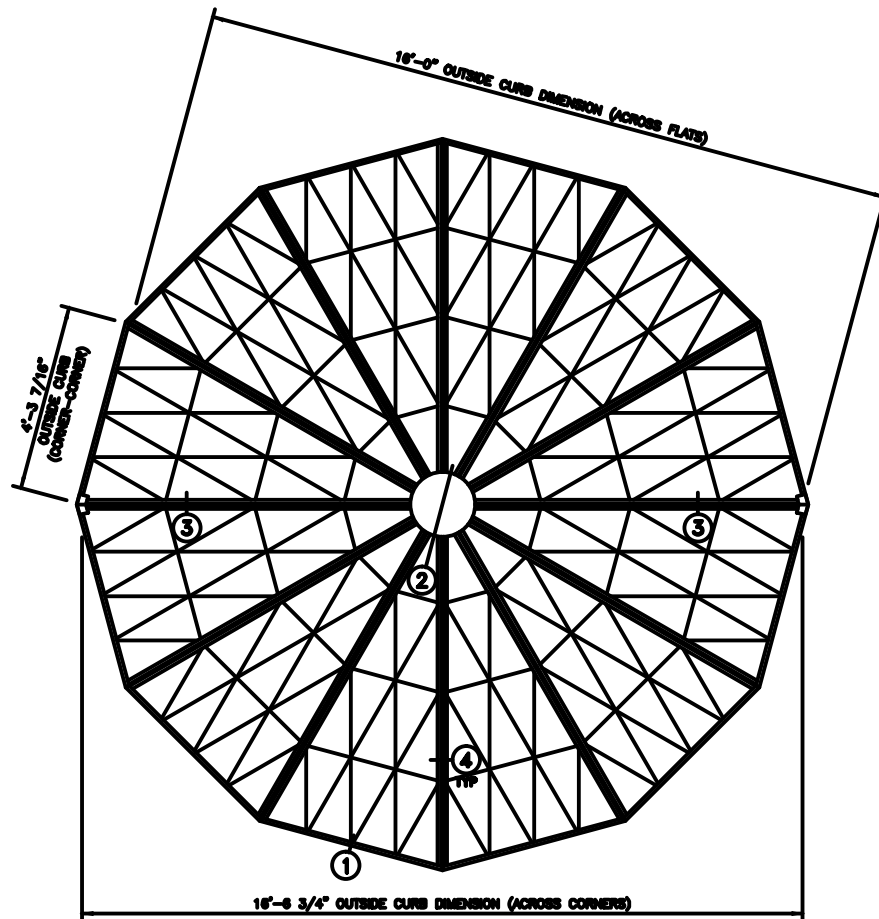
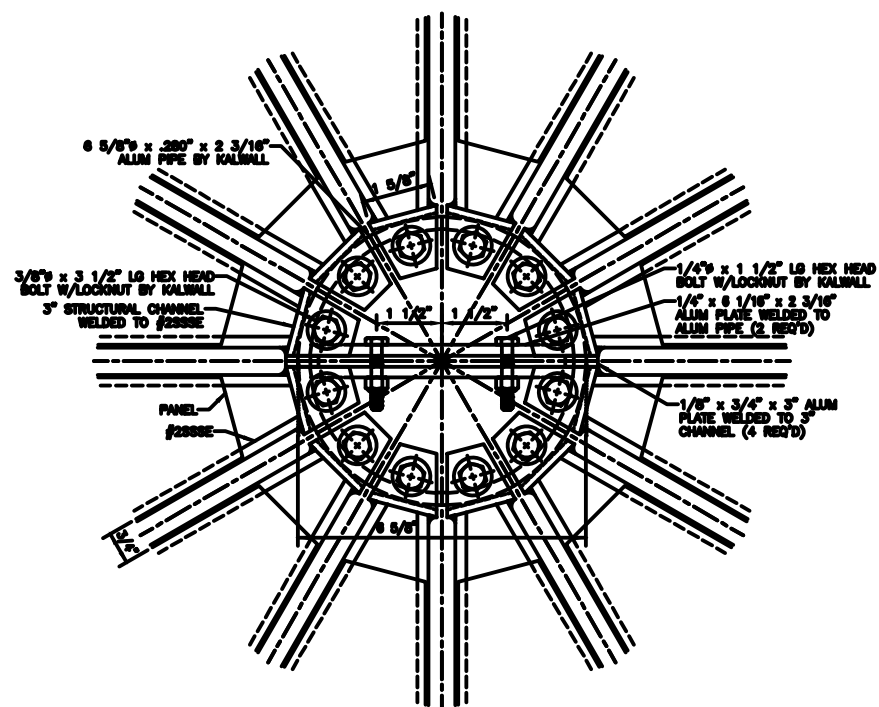


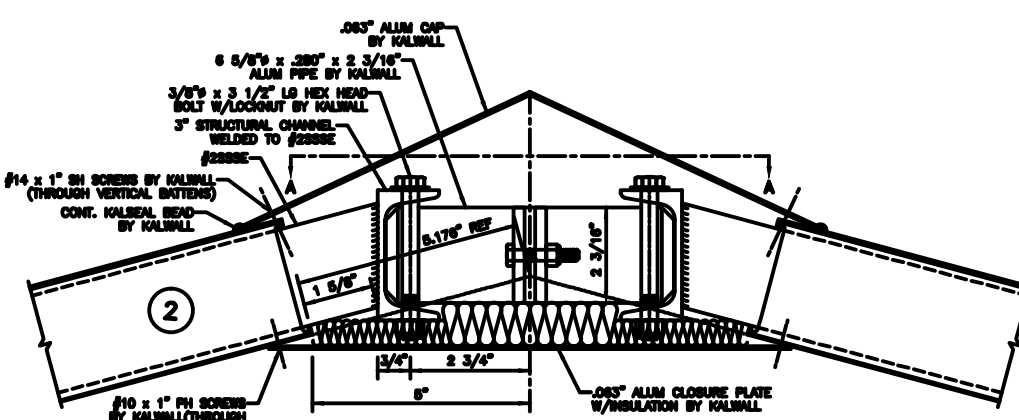
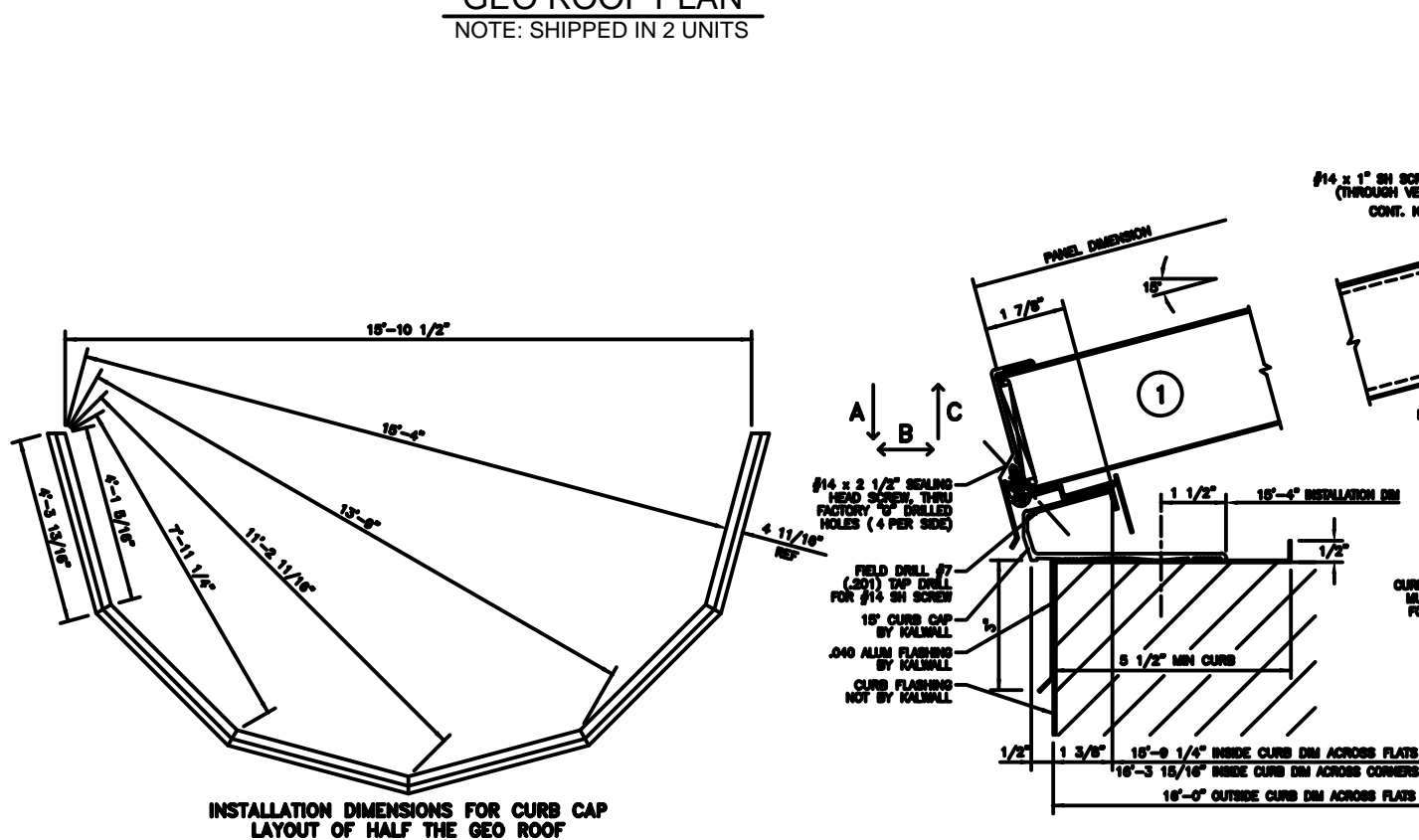
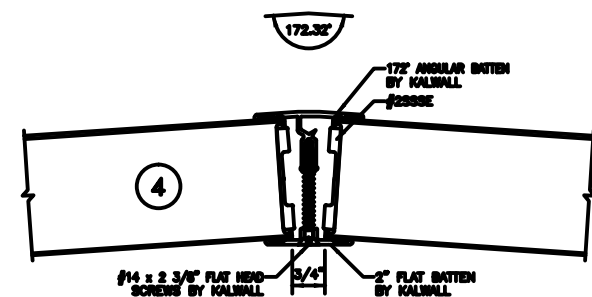
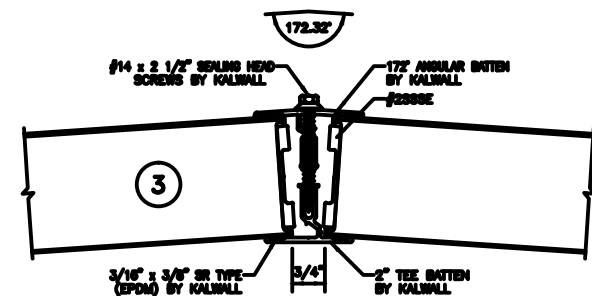
16'-0" GEO ROOF



GEO ROOF PLAN
NOTE: SHIPPED IN 2 UNITS



AA COMPRESSION RING PLAN VIEW



FORCES NOTE
CURB CONSTRUCTION NOT BY KALWALL MUST BE DESIGNED TO RESIST THE FOLLOWING FORCES PRODUCED BY:
A: PSF LIVE LOAD
A: PSF WIND LOAD
A: PSF SNOW LOAD
A: _____ LBS/SIDE
B: _____ LBS/SIDE
C: _____ LBS/SIDE

CURB TYPE	FASTENER #	SPACING
WOOD	#14 KAL S.S. - 4" LG.	6" O.C.
STEEL	#14 KAL S.S. - 1" LG.	24" O.C.
CONCRETE	1/4" x 3 1/4" POINT BUD OR #404	16" O.C.

*NOT SUPPLIED BY KALWALL UNLESS INSTALLED BY KALWALL

NOTE:
INSTALLER TO SET ENTIRE PERIMETER EDGE IN A CONTINUOUS BED OF CAULKING, AND ISOLATE ALUMINUM FROM DISSIMILAR MATERIALS TO PREVENT ELECTROLYSIS.

KALWALL[®]
high performance translucent building systems