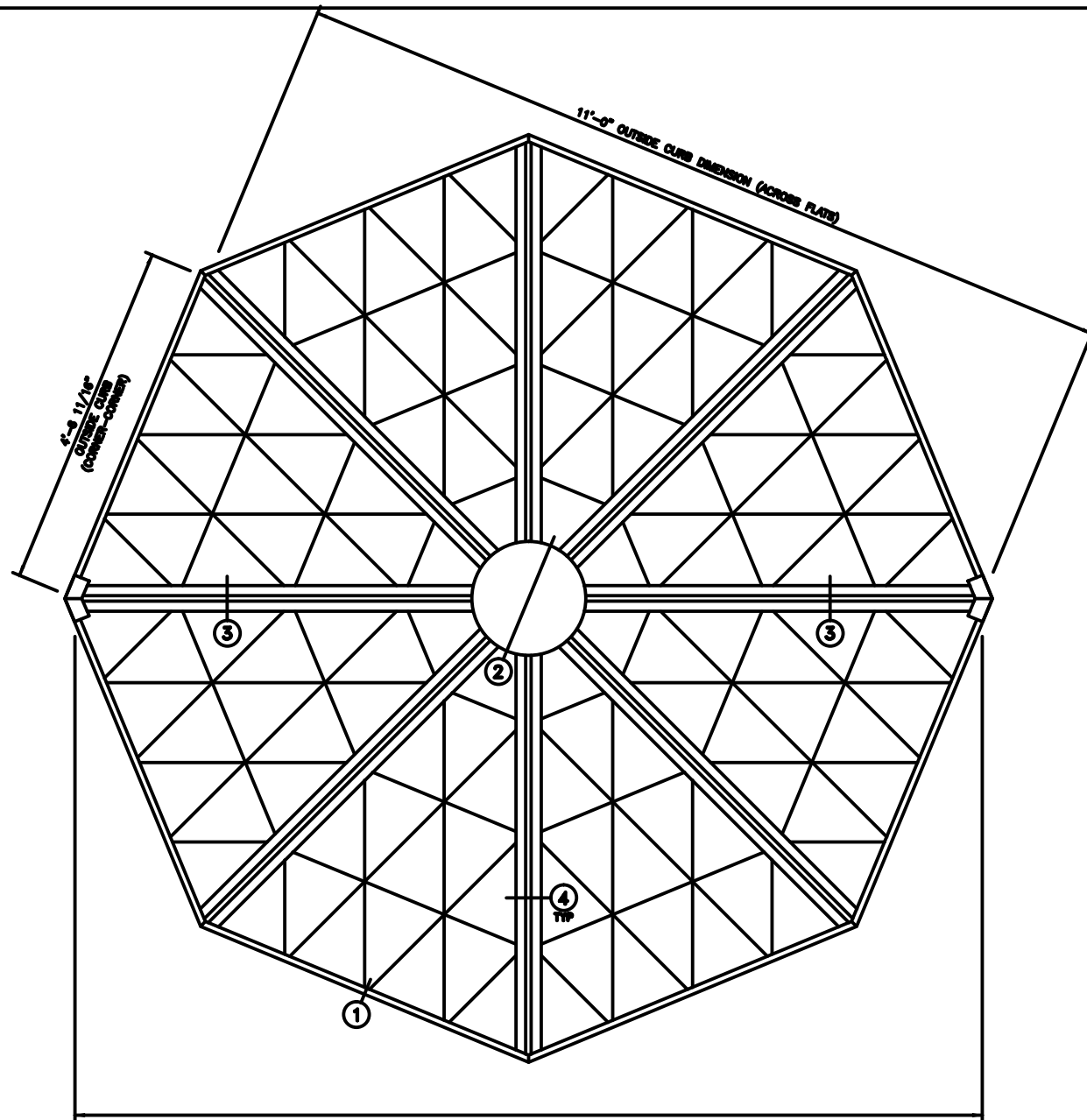
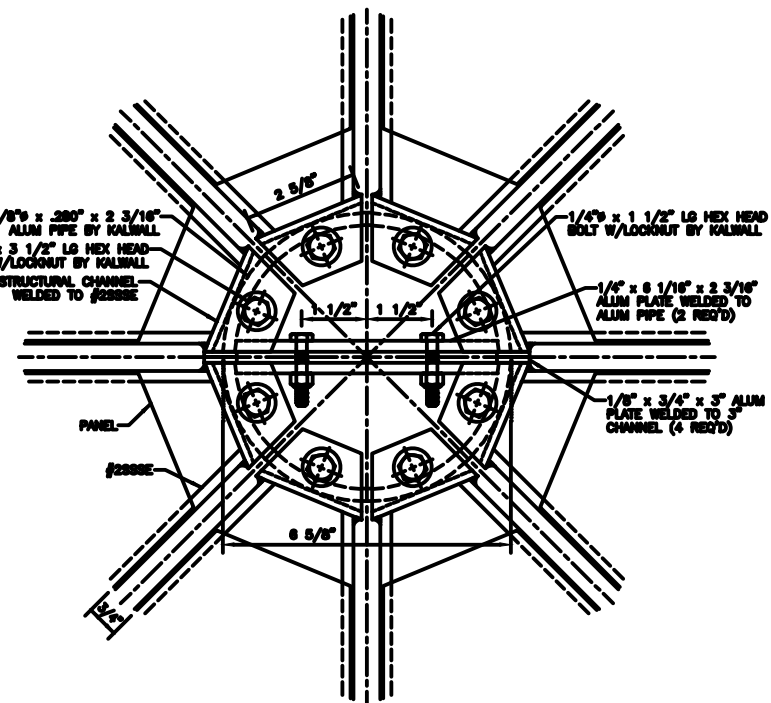


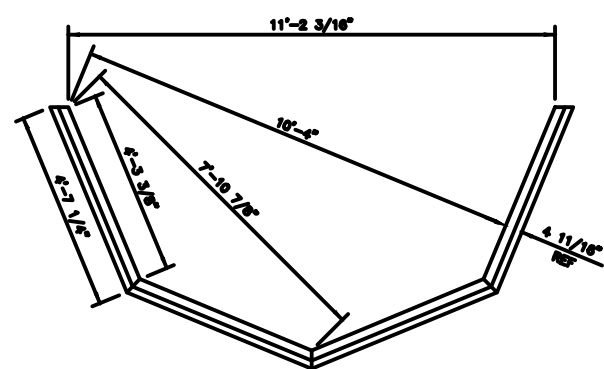
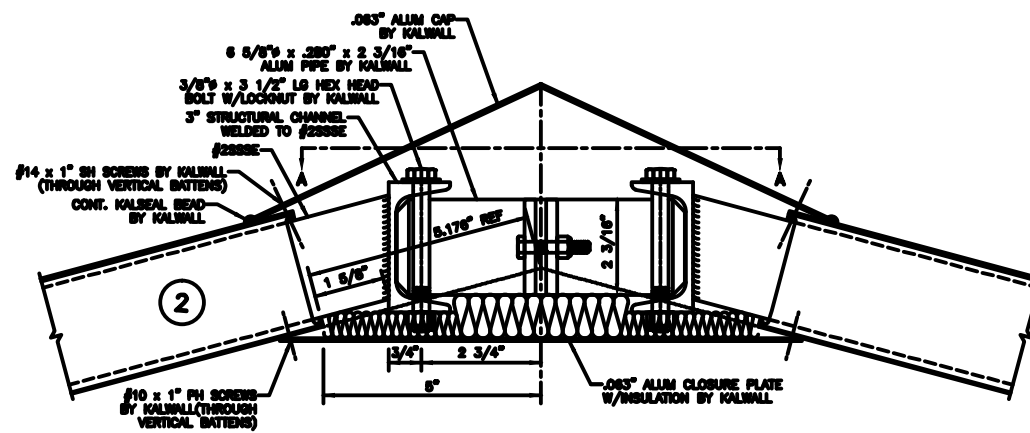
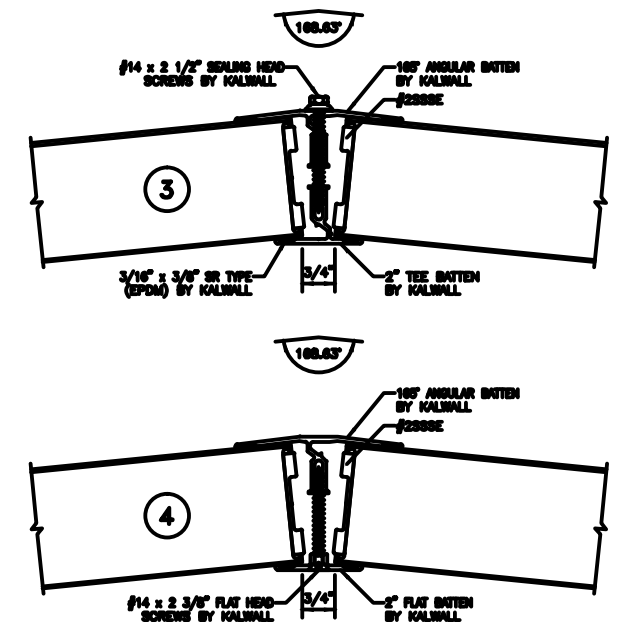
11'-0" GEO ROOF



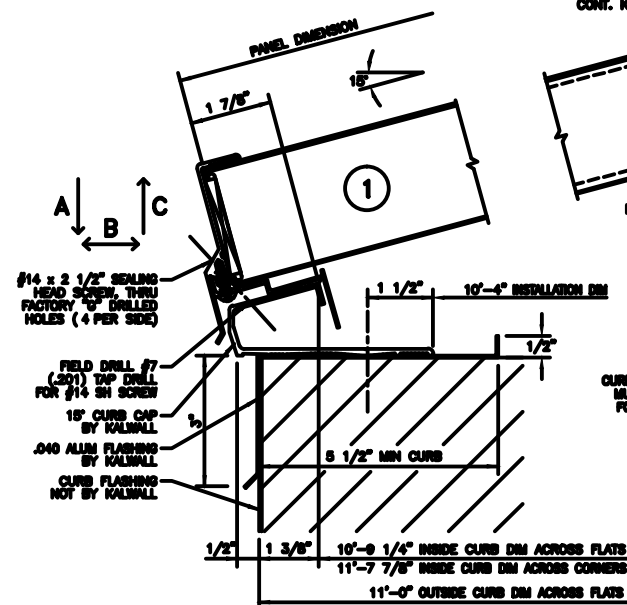
GEO ROOF PLAN
NOTE: SHIPPED IN 2 UNITS



AA COMPRESSION RING PLAN VIEW



INSTALLATION DIMENSIONS FOR CURB CAP LAYOUT OF HALF THE GEO ROOF



****FORCES NOTE****
CURB CONSTRUCTION NOT BY KALWALL MUST BE DESIGNED TO RESIST THE FOLLOWING FORCES PRODUCED BY
A PSF LIVE LOAD
A PSF WIND LOAD
A PSF SNOW LOAD
A: _____ LBS/SIDE
B: _____ LBS/SIDE
C: _____ LBS/SIDE

CURB TYPE	FASTENERS	SPACING
WOOD	#14 KAL S.S. - 4" LG.	8" O.C.
STEEL	#14 KAL S.S. - 1" LG.	24" O.C.
CONCRETE	1/4" x 3 1/4" POWER BRD OR #404	16" O.C.

*NOT SUPPLIED BY KALWALL UNLESS INSTALLED BY KALWALL

NOTE:
INSTALLER TO SET ENTIRE PERIMETER EDGE IN A CONTINUOUS BED OF CAULKING, AND ISOLATE ALUMINUM FROM DISSIMILAR MATERIALS TO PREVENT ELECTROLYSIS.

KALWALL[®]
high performance translucent building systems