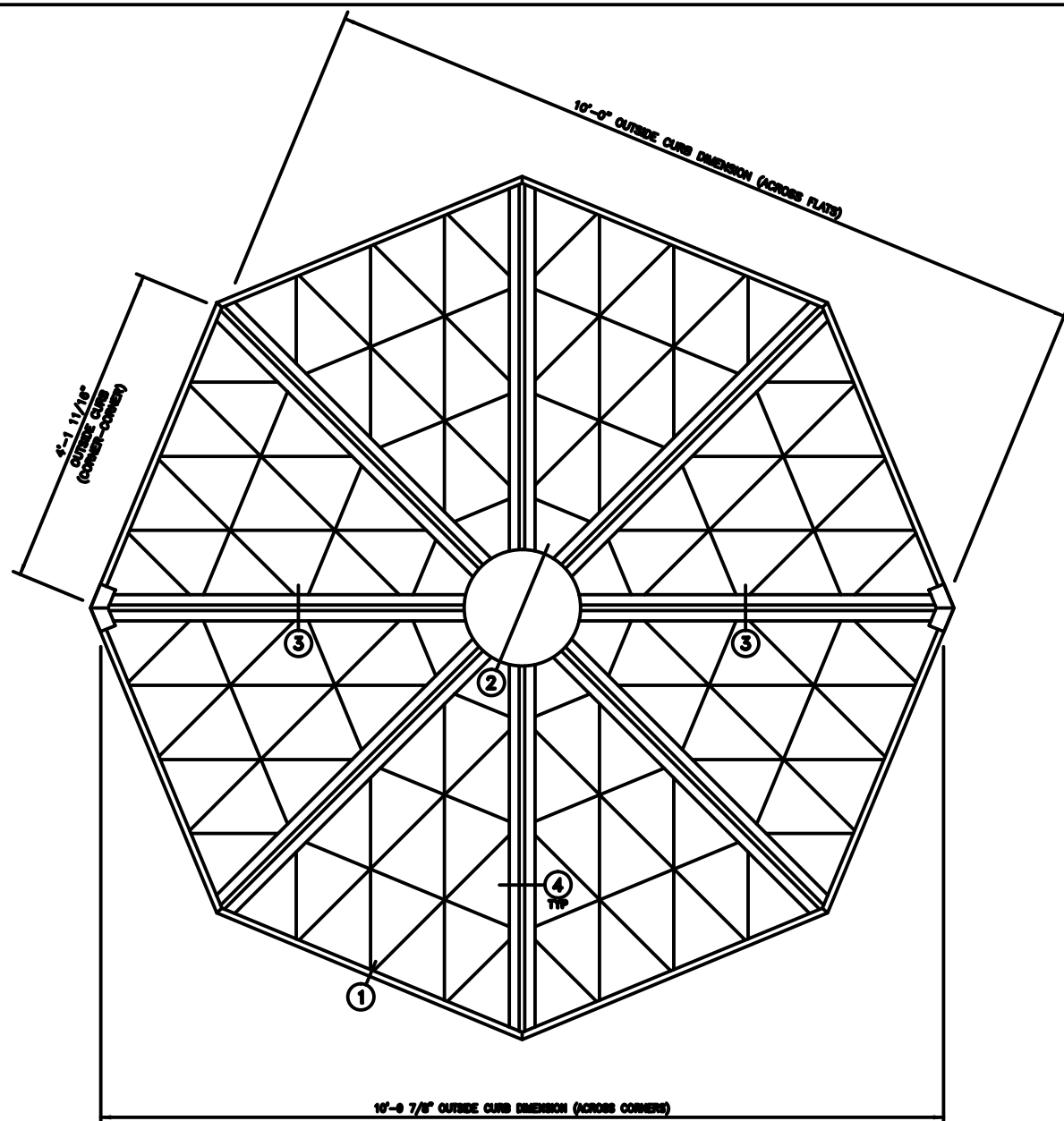
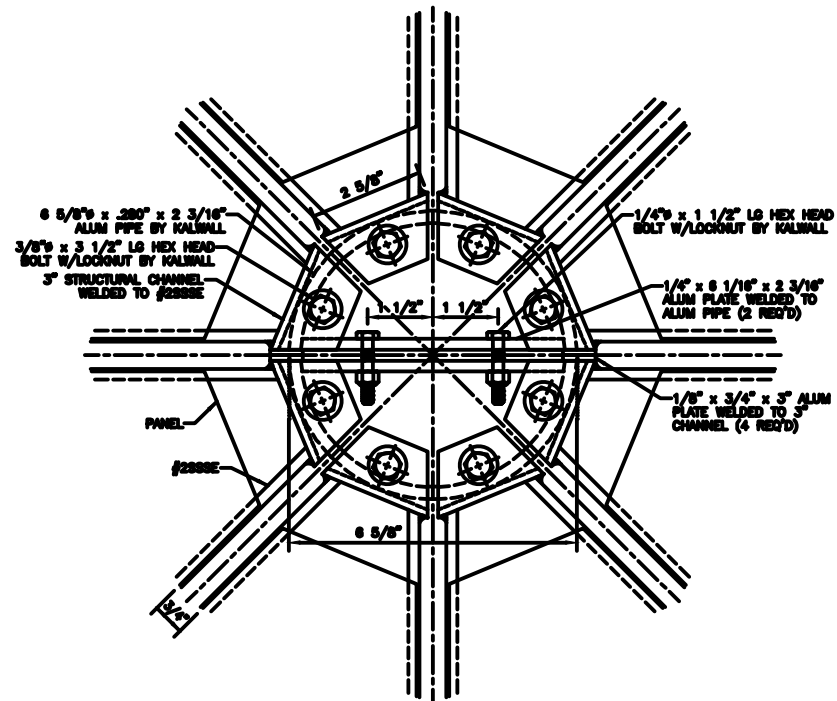


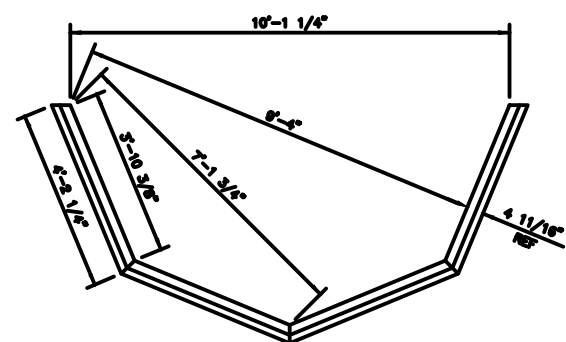
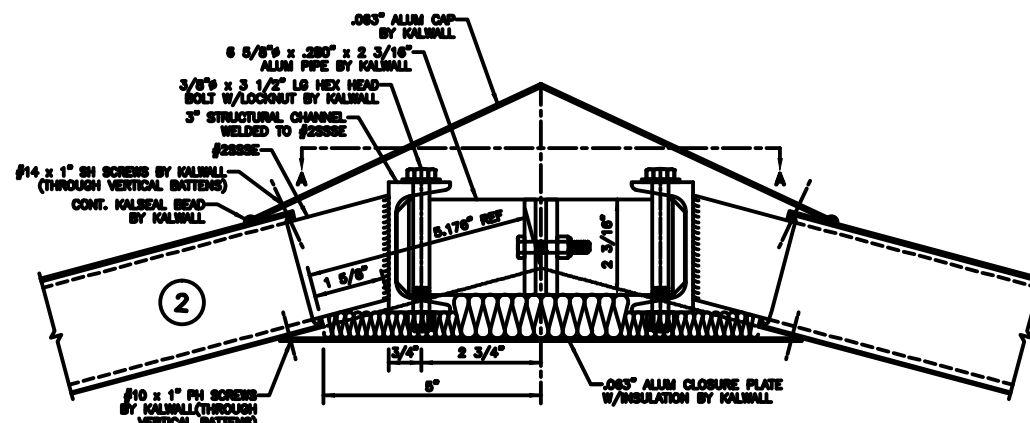
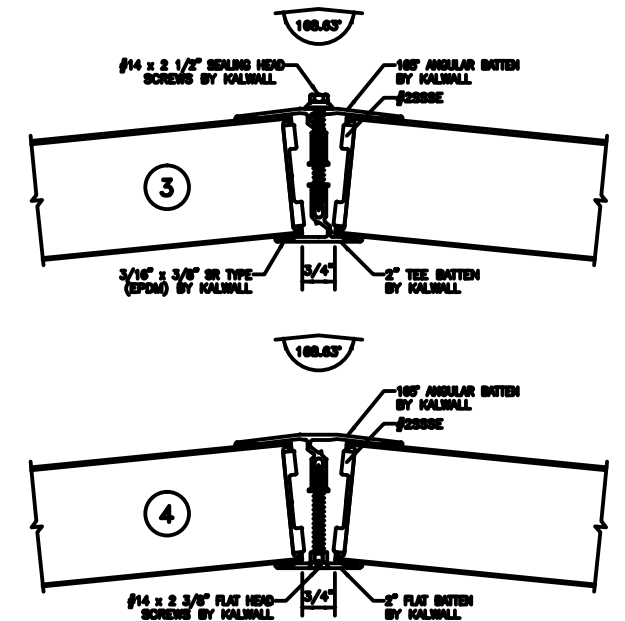
10'-0" GEO ROOF



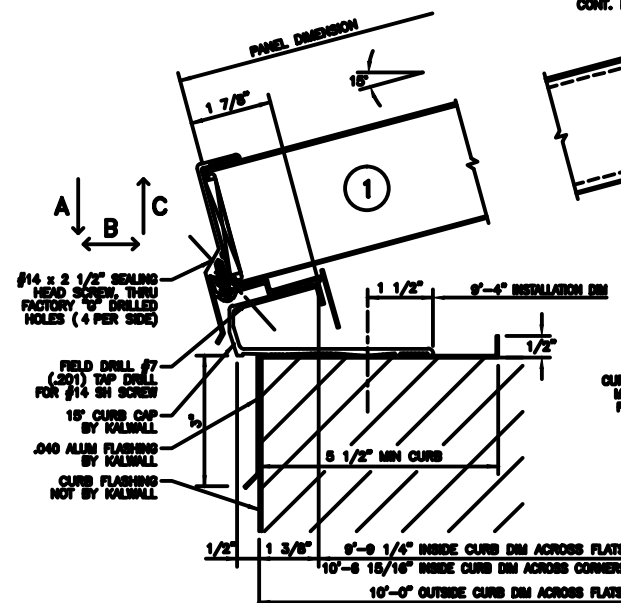
GEO ROOF PLAN
NOTE: SHIPPED IN 2 UNITS



AA COMPRESSION RING PLAN VIEW



INSTALLATION DIMENSIONS FOR CURB CAP LAYOUT OF HALF THE GEO ROOF



FORCES NOTE
CURB CONSTRUCTION NOT BY KALWALL MUST BE DESIGNED TO RESIST THE FOLLOWING FORCES PRODUCED BY
A PSF LIVE LOAD
A PSF WIND LOAD
A PSF SNOW LOAD
A: _____ LBS/SIDE
B: _____ LBS/SIDE
C: _____ LBS/SIDE

SUGGESTED FASTENING OF CURB CAP TO CURB		
CURB TYPE	FASTENER #	SPACING
WOOD	#14 KAL S.S. - 4" LG.	8" O.C.
STEEL	#14 KAL S.S. - 1" LG.	24" O.C.
CONCRETE	1/4" x 3 1/4" POWER BRD OR #404	16" O.C.

*NOT SUPPLIED BY KALWALL UNLESS INSTALLED BY KALWALL

NOTE:
INSTALLER TO SET ENTIRE PERIMETER EDGE IN A CONTINUOUS BED OF CAULKING, AND ISOLATE ALUMINUM FROM DISSIMILAR MATERIALS TO PREVENT ELECTROLYSIS.

KALWALL[®]
high performance translucent building systems